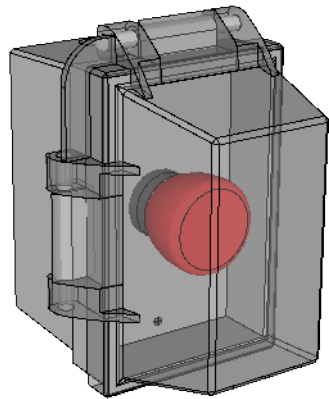
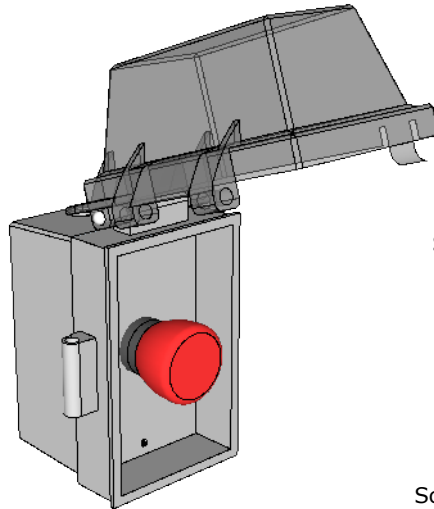


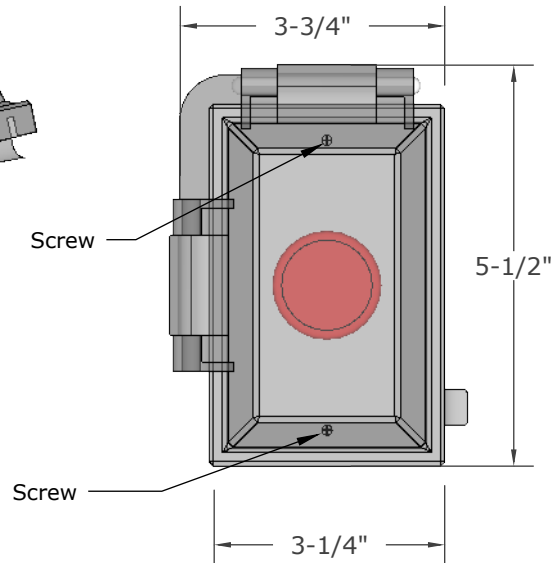
Isometric - Closed



Isometric - Open



Front

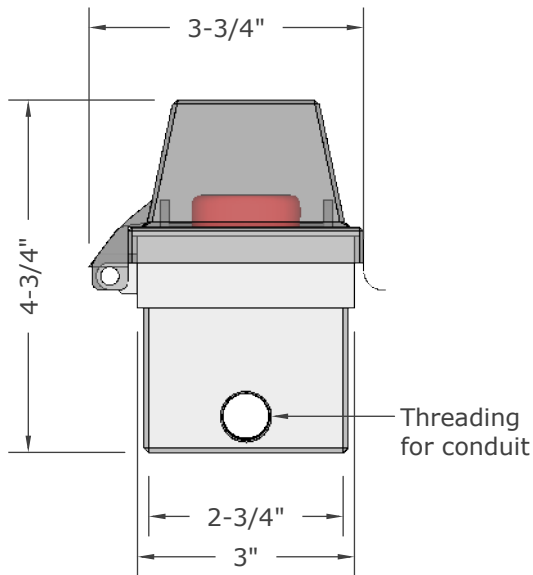


Emergency Stop Button

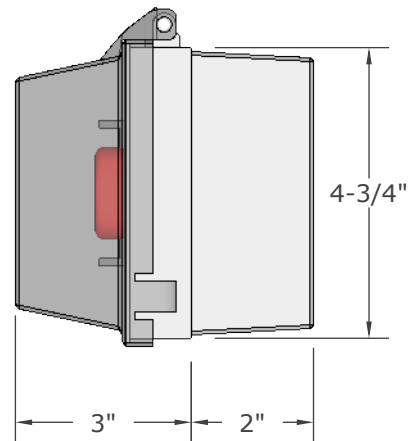
Part Number	OPT-ESTOP
Suited for 110V Only	
2x Openings for Conduit (1/2")	

To access terminals, remove the electrical box on the rear of the unit. Remove the screws on the face of the unit to remove the electrical box. This unit is only compatible with 110VAC

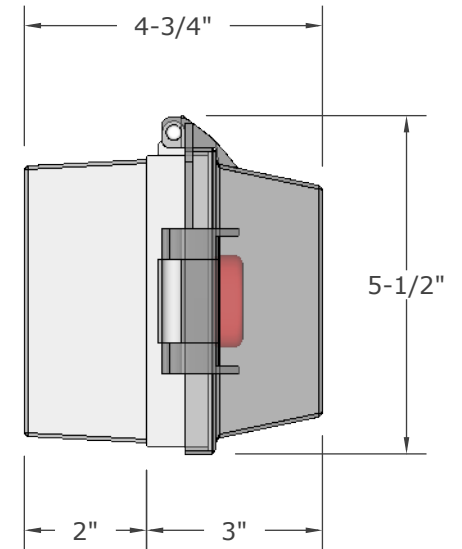
Bottom



Right Side



Left Side



235 East Main St
Ontario CA 91761
Office: (909) 460-5579