

# DIAL TIMER

## INSTALLATION & OPERATION INSTRUCTIONS

*Read all instructions before you operate your dial timer.  
Save these instructions!*

[www.theoutdoorplus.com](http://www.theoutdoorplus.com)



**CERTIFIED TO:**  
LR3730



**CERTIFIED TO:**  
E76987

**TO INSTALLER:** Leave this manual with the DIAL TIMER.  
**TO CONSUMER:** Keep this manual for future reference.



**CAUTION:**

This timer should not be used in precision timing applications where inaccurate timing could have dangerous consequences (i.e. sun lamps, sauna, etcetera)



**WARNING:**

**ELECTRIC SHOCK HAZARD.** Only qualified personnel should install and service this equipment. Failure to follow instructions may result in serious injury or death.

## WARNING LABELS & SYMBOLS



### THIS IS A SAFETY ALERT SYMBOL

When you see this symbol in on the fire feature or manual, look for one of the following signal word panels alerting you to the potential for personl injury, death or major properety damage.



#### **CAUTION:**

HIGH VOLTAGE. Ensure power is turned off before performing any maintenance or repair on this equipment. Failure to do so may result in electric shock.



#### **CAUTION:**

HOT SURFACE. Do not touch the timer during or immediately after use, as the surface may be hot and cause burns.



#### **WARNING:**

EXPLOSION HAZARD. Do not use this equipment in areas where flammable gases or liquids are present. Doing so may result in explosion or fire.



#### **CAUTION:**

MOVING PARTS. Keep hands and other body parts clear of moving parts during operation. Failure to do so may result in injury.



#### **CAUTION:**

IMPROPER USE. Use this equipment only for its intended purpose. Misuse or modification of the equipment may result in injury or damage to the equipment.



#### **CAUTION:**

OVERLOAD. Do not exceed the maximum capacity of the timer. Overloading the equipment may cause damage and result in injury.



#### **CAUTION:**

UNAUTHORIZED REPAIRS. Only authorized personnel should perform repairs on this equipment. Unauthorized repairs may result in injury or damage to the equipment.



#### **DANGER:**

RISK OF ELECTRIC SHOCK. Do not touch the timer with wet hands or in wet conditions, as this increases the risk of electric shock.



#### **DANGER:**

DO NOT DISASSEMBLE. There are no user-serviceable parts inside this equipment. Disassembly may result in injury or damage to the equipment, and will void the warranty.

# TABLE OF CONTENT

---

## **SAFETY**

<i>Warning Labels &amp; Symbols.....</i>	<i>002</i>
--	------------

## **DIAL TIMER INFORMATION**

<i>Product Overview.....</i>	<i>004</i>
<i>Technical Specification.....</i>	<i>005</i>
<i>Installation Information.....</i>	<i>006</i>
<i>Wiring Information.....</i>	<i>007</i>

## **DIAL TIMER OPERATION**

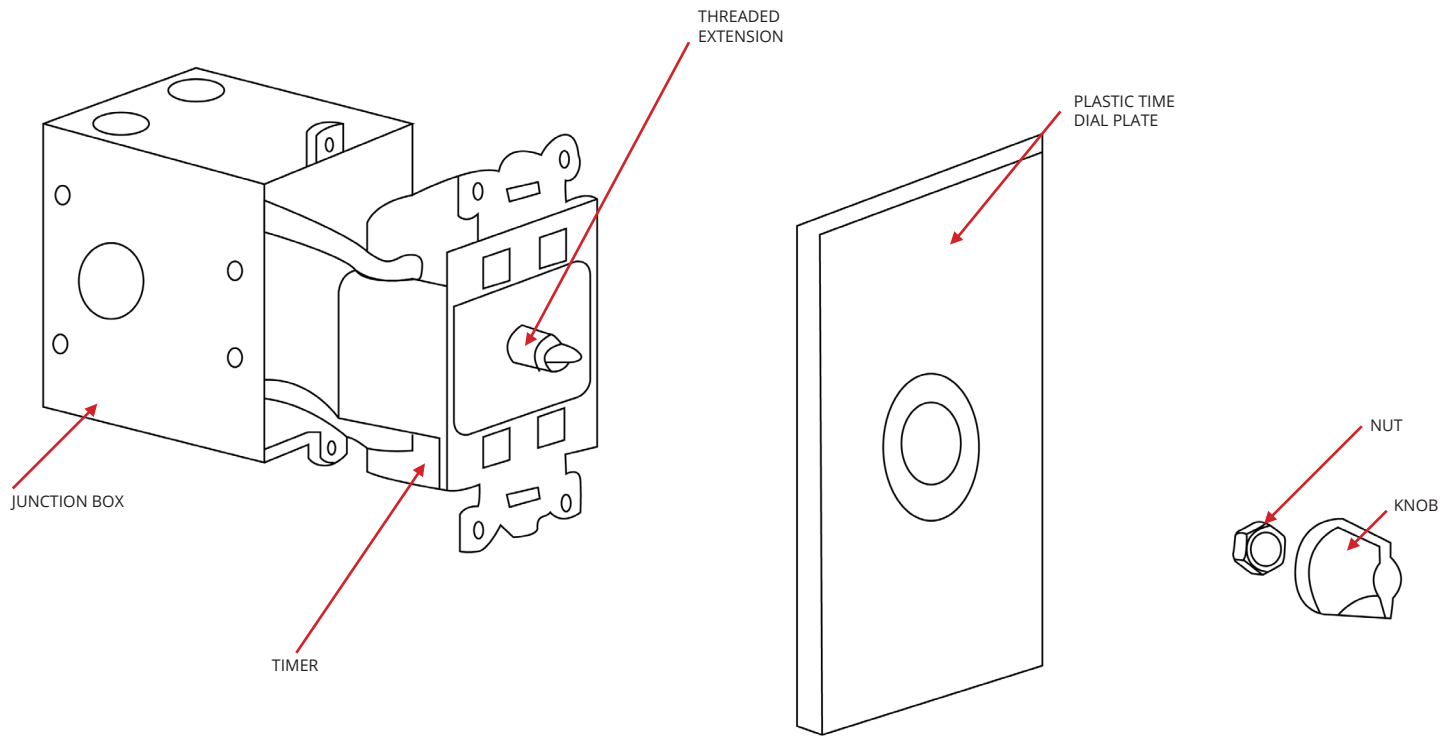
<i>Start &amp; Stop of the Timer.....</i>	<i>010</i>
---	------------

## **DIAL TIMER PERFORMANCE**

<i>Maintenance and Troubleshooting.....</i>	<i>011</i>
---	------------

## **WARRANTY & SUPPORT**

<i>Customer Support.....</i>	<i>012</i>
<i>Warranty Information.....</i>	<i>013</i>



### DIAL TIMER | COMMERCIAL SERIES:

The Outdoor Plus Dial Timer is designed to be a convenient replacement for any standard single or multi-gang wall switch. This mechanical timer is highly energy-efficient and does not rely on electricity to function. Additionally, it has been specifically engineered to automatically limit the ON times for outdoor devices such as lighting, irrigation systems, pool pumps, and other energy-consuming loads, making it an ideal choice for outdoor applications.

### FEATURES:

- The mechanical timer is highly reliable and ensures accurate timing.
- The timer has been certified by CSA International, ensuring it meets safety and performance standards.
- The timer is easy to install, making it a convenient replacement for standard wall switches.
- The timer is simple to operate and does not require any special training.
- The timer is designed to withstand various outdoor weather conditions.
- The timer helps ensure compliance with building codes.
- The timer helps enhance the overall guest experience in hotels and restaurants.
- The timer improves safety in commercial buildings and public areas. Improves safety: Improves safety in commercial buildings and public areas.

## RATINGS:

<b>Resistive:</b>	20 Amp, 125 VAC, 50/60 Hz 10 Amp, 250 VAC, 50/60 Hz 10 Amp, 277 VAC, 50/60 Hz
<b>Tungsten:</b>	7 Amp, 125 VAC
<b>Motor:</b>	1 HP, 120 VAC, 50/60 Hz 2 HP, 240 VAC, 50/60 Hz
<b>Dimensions:</b>	2.79" H x 1.6" W x 1.19" D

## SPECIFICATION:

The Dial Timer is designed to be a direct replacement for a standard wall switch in a single gang 2 ½" deep junction box. Its dimensions and design are appropriate for this purpose, and it is easy to install without requiring any modifications to the existing setup. The timer features a spiral time scale that makes it easy to select a desired time setting, and it comes with a molded white knob and brushed metal finish wall plate that can be easily secured without screws or other hardware. The polymeric time dial is designed to replace a standard switch plate without requiring any modifications. Additionally, the timer is UL listed, ensuring its quality and safety. Overall, the Dial Timer is a convenient and reliable choice for replacing a standard wall switch and controlling various energy-consuming loads such as fans, lighting, motors, and heaters.

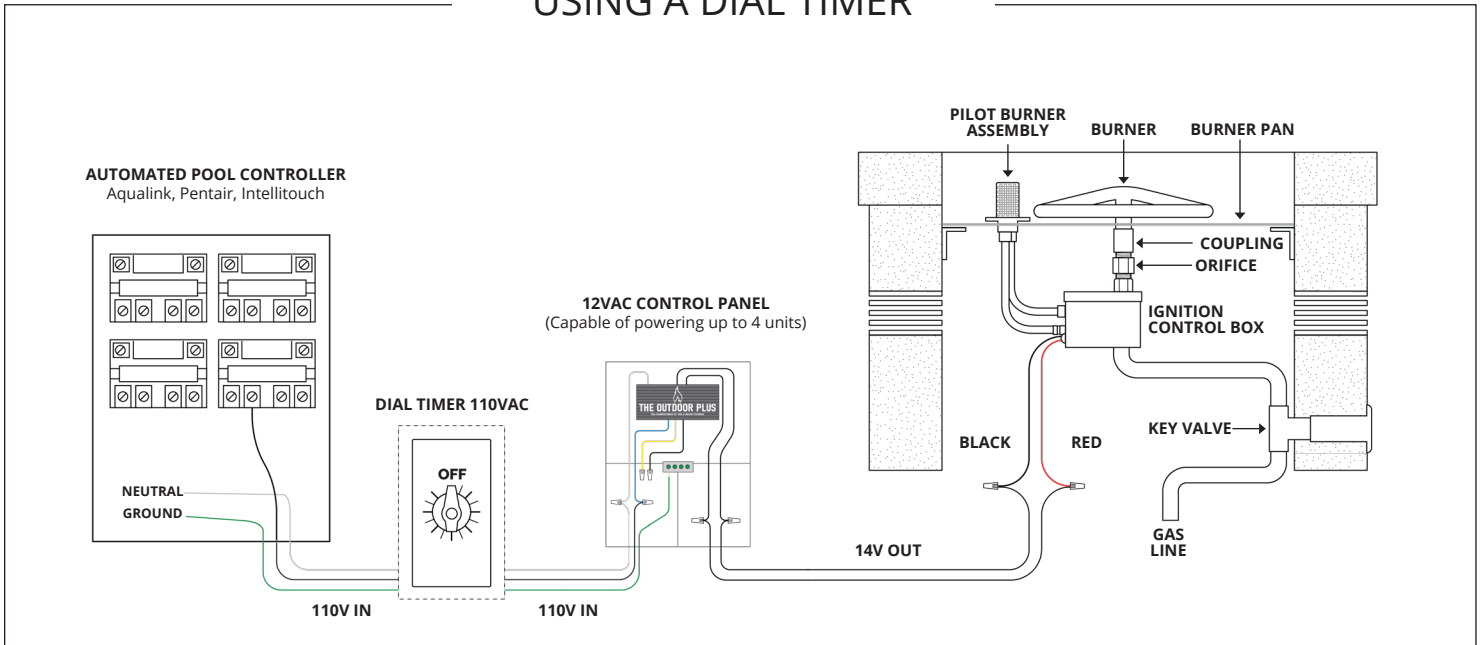
### INSTALLATION INSTRUCTIONS:

The spring wound timer is designed for easy installation, and can be installed just like a standard light switch in a 2-1/2 inch deep vertically installed junction box. It can be used to replace a standard single pole, 3-way, or double pole single throw wall switch (depending on the timer model). Once installed, the spring wound timer will automatically turn off lights, fans, air conditioners, and other energy-consuming loads after a preset timing period, making it a convenient and energy-efficient choice for controlling various appliances.

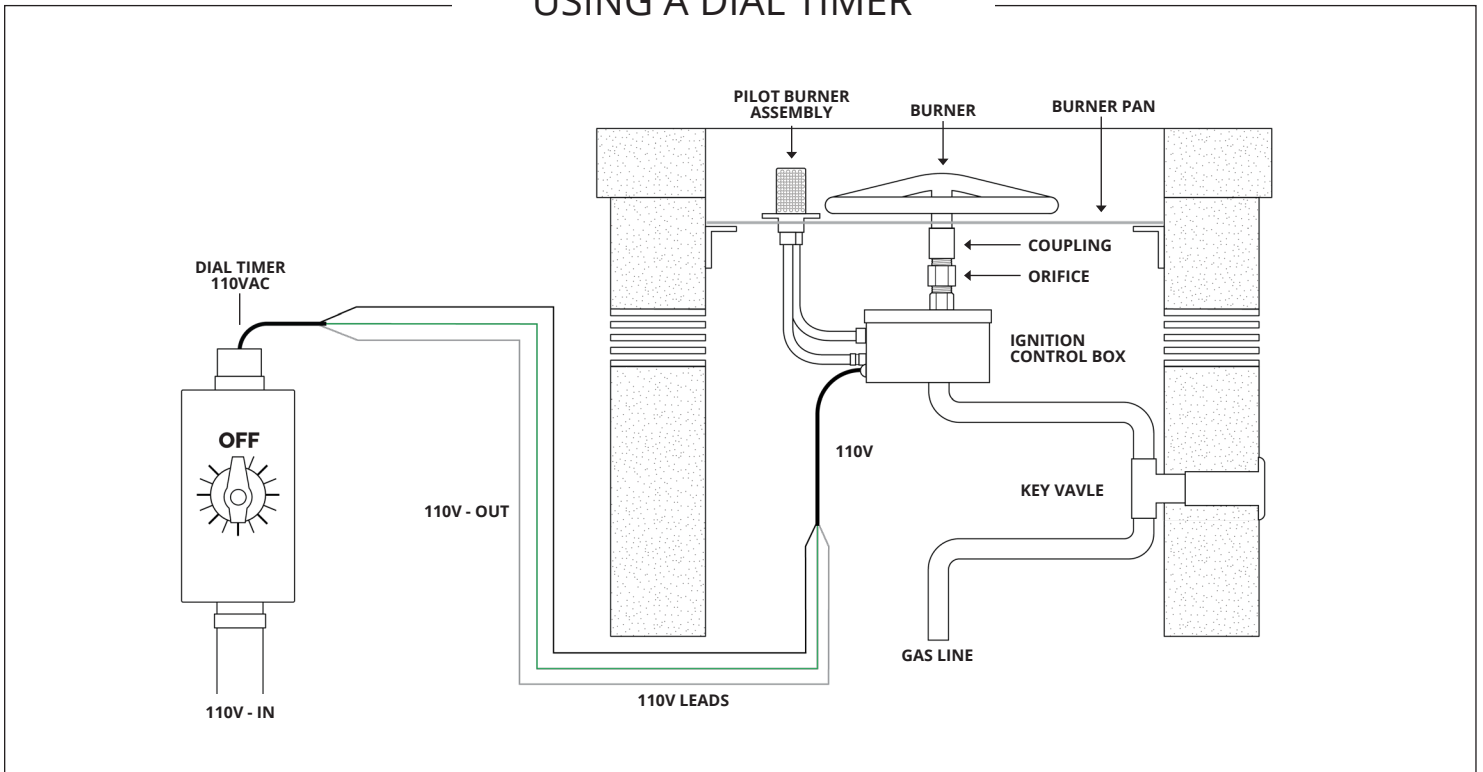
### INSTALLATION:

1. Turn off the power to the circuit you're working on by switching off the circuit breaker in your main electrical panel.
2. Remove the cover plate from the existing switch by taking out the screws that hold it in place.
3. Strip the wires about half an inch long according to the strip gauge on the back of the timer.
4. Insert the stripped end of the wires under the pressure plate of the terminal screws on the side of the Dial Timer, using the screws provided in the plastic bag. **Tighten the screws securely, and use copper wire only.**
5. Put the Dial Timer into a standard wall junction box that is 2-1/2 inches deep, making sure that the "TOP" (as indicated on the front of the timer) is in the correct position. Fasten the timer to the junction box using the two long screws provided.
6. Slip the time dial plate over the threaded extension of the Dial Timer, with the "OFF" mark of the time dial plate on top as indicated on the front of the timer.
7. Secure the time dial plate to the Dial Timer using the stamped nut that is provided.
8. If you're using a regular switch plate, the nut that comes with the timer will hold the plate in place, so you don't need to use the screws that come with the plate. If you're using a fancier plate, use the two screws that come with it to attach it to the metal tabs on the timer's opposite ends. Just be sure not to tighten the screws too much.
9. Slide the plastic time dial plate onto the threaded extension of the timer. Make sure that the "OFF" mark on the dial plate is facing up. Use the nut that comes with the timer to secure the dial plate in place. Be careful not to tighten the nut too much.
10. Put the knob on the timer shaft so that the pointer on the knob is pointing to the "OFF" mark on the dial plate. The knob has a hole in the shape of the letter "D" that matches the "D" shaped shaft on the timer.
11. Turn the power back on at the circuit breaker.

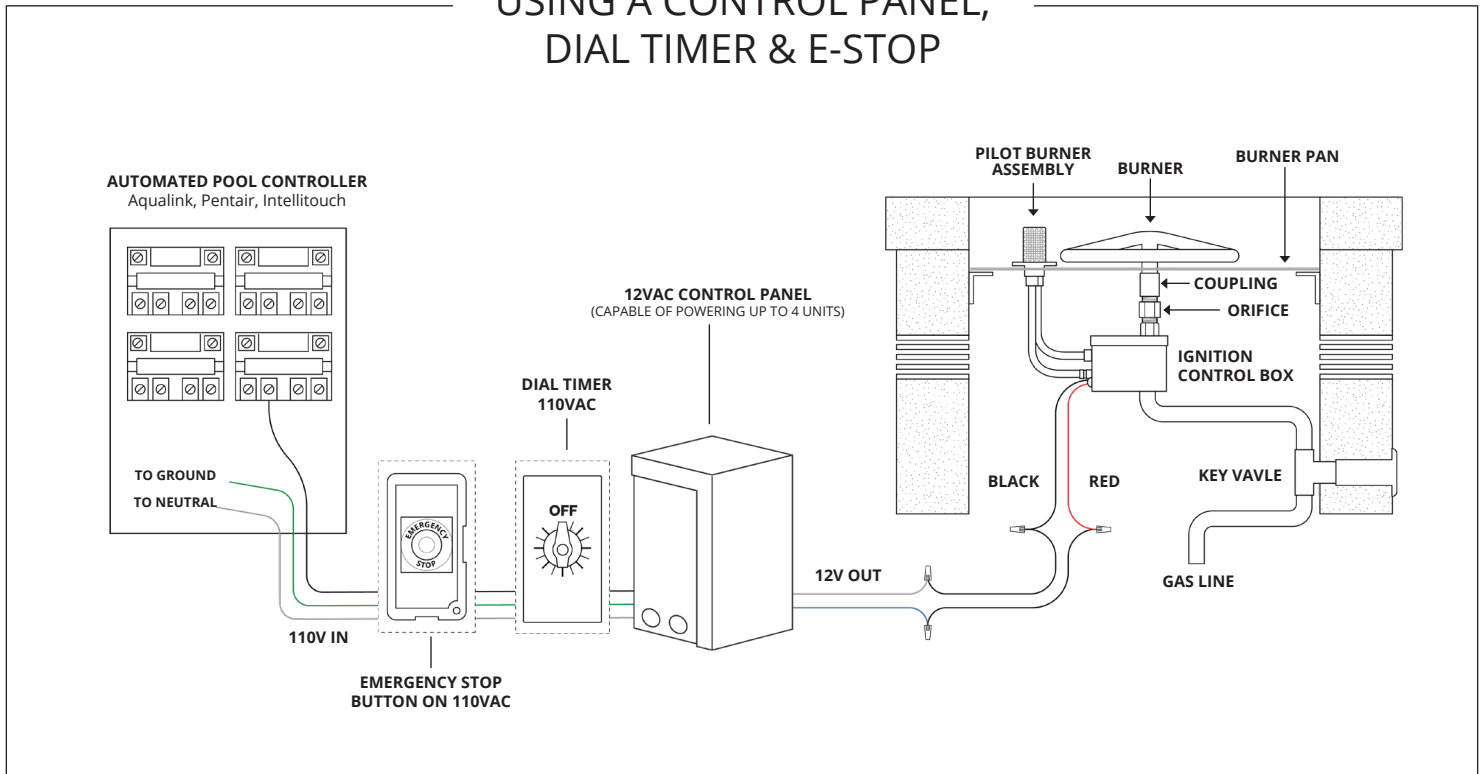
## USING A DIAL TIMER



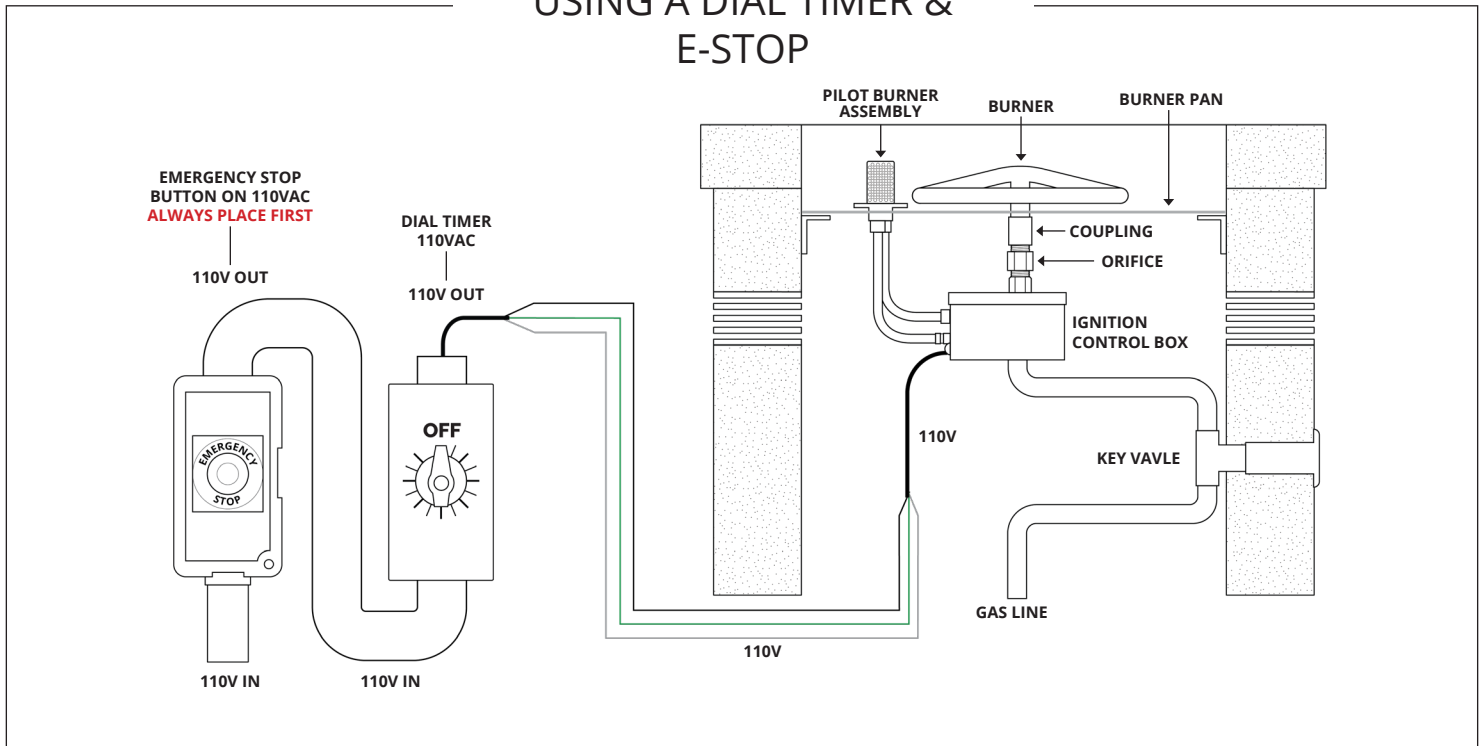
## USING A DIAL TIMER



## USING A CONTROL PANEL, DIAL TIMER & E-STOP

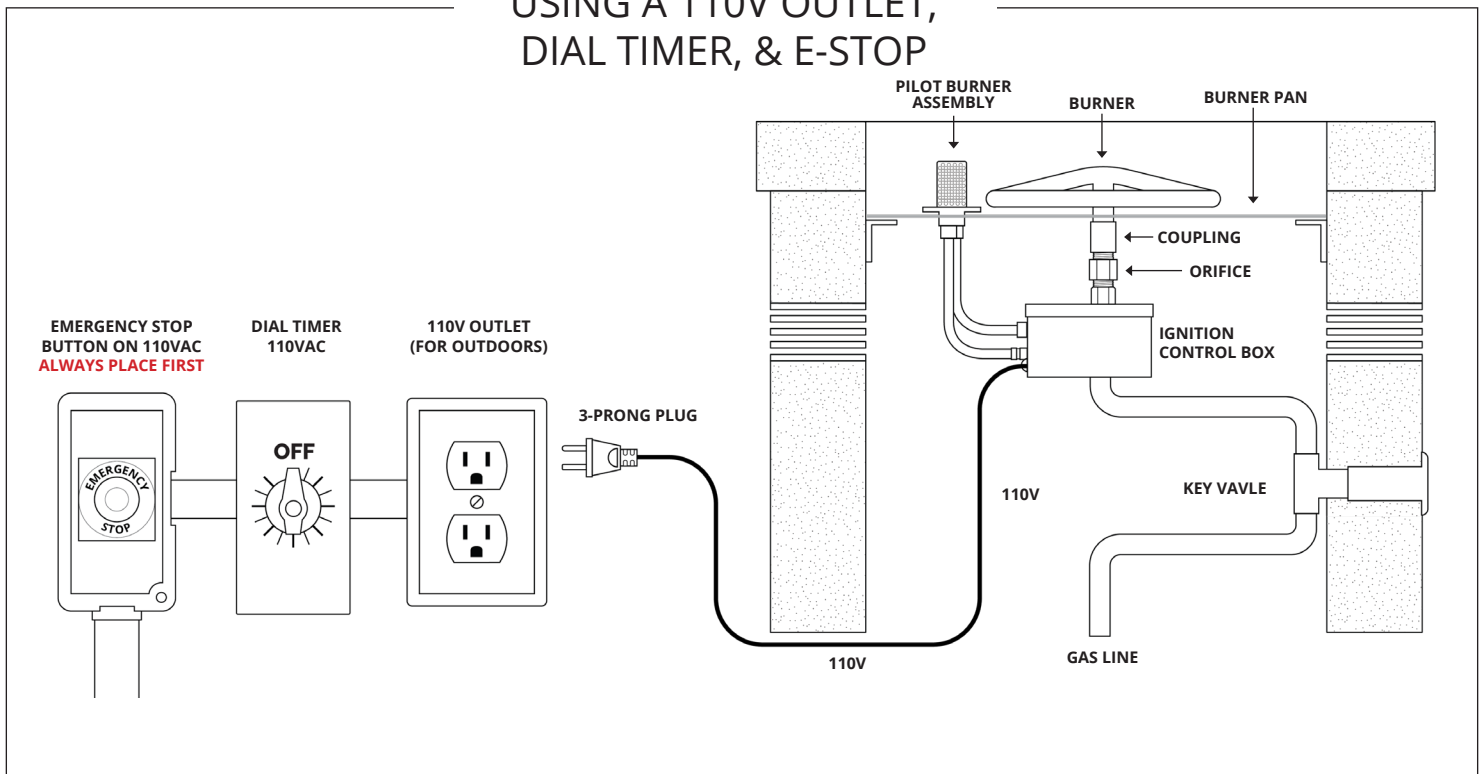


## USING A DIAL TIMER & E-STOP





## USING A 110V OUTLET, DIAL TIMER, & E-STOP



## DIAL TIMER OPERATION - *Start & Stop of the Timer*

The Dial Timer can be used by anyone who needs to automate the turning on and off of their device or appliance, such as our Fire Feature.

### **IMPORTANT:**

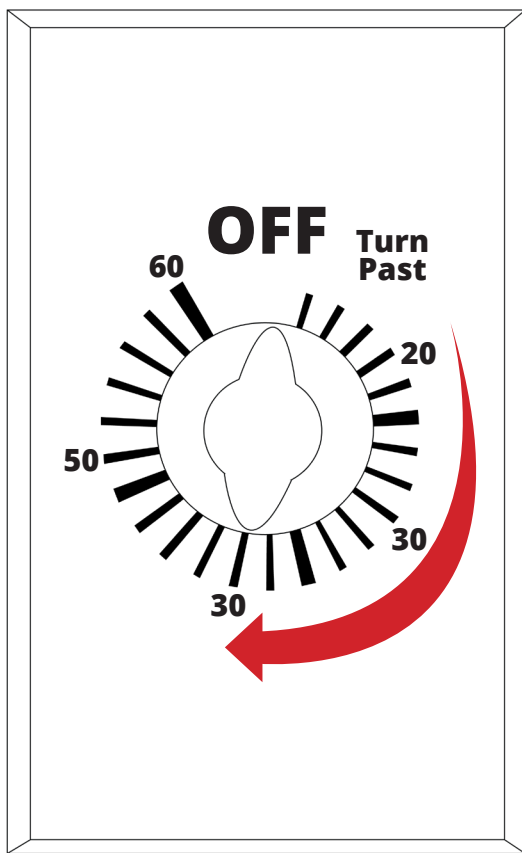
If you are unsure about how to operate the timer, we recommend consulting a licensed electrician for assistance.

### **ALSO IMPORTANT:**

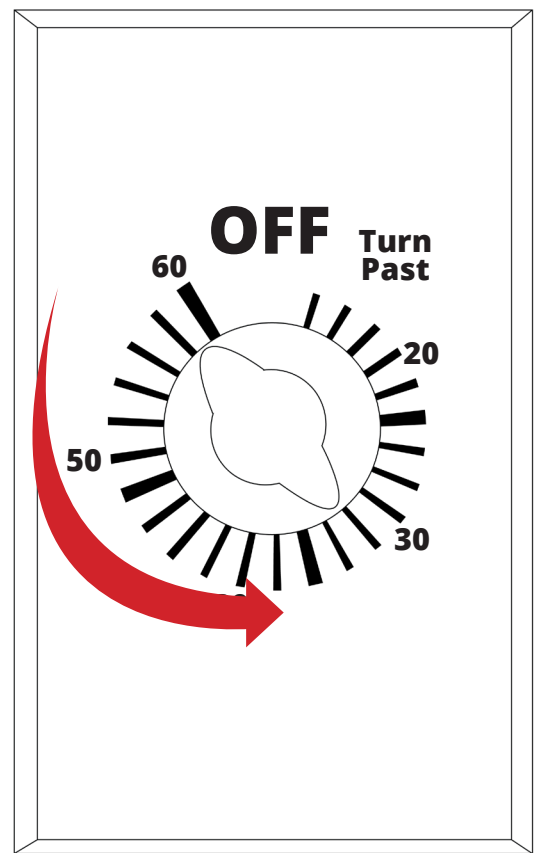
Always make sure to read the instructions carefully and follow them closely to ensure safe and proper operation of the timer.

### **HOW-TO OPERATE:**

To set the timer, turn it clockwise to your desired time. The timer will automatically turn off your device at the end of the time you set. However, if your timer is wired for reverse action, it will turn your device on at the end of the preset time instead.



**COUNTER-CLOCKWISE:**  
Turn ON the Dial Timer



**CLOCKWISE:**  
Turn OFF the Dial Timer

### **NOTE:**

Your timer may appear different, but the function of the timer will remain the same. This is just an illustration.

**TROUBLE SHOOT GUIDE:**

<b>PROBLEM</b>	<b>SOLUTION</b>
<b>Timer doesn't turn ON Fire Pit.</b>	Make sure the timer is properly connected to the power source and the Fire Feature. Check the timer settings to ensure it is programmed correctly.
<b>Fire Pit Turns ON but not OFF.</b>	Check the timer settings to ensure it is programmed correctly. Make sure the timer is not damaged or malfunctioning.
<b>Timer doesn't keep time accurately.</b>	Check the power source to ensure it is working properly. If it is a mechanical timer, make sure the clock is set correctly.
<b>Timer makes noises.</b>	This could be caused by a loose connection or a faulty timer. Check the connections to ensure they are secure. If the problem persists, it may be necessary to replace the timer.

At The Outdoor Plus, we are committed to providing excellent customer service to all of our customers. If you need assistance in ordering parts for your accessories, please contact our sales team at [sales@theoutdoorplus.com](mailto:sales@theoutdoorplus.com) Our knowledgeable sales team can assist you in identifying the correct parts and accessories needed for your order.

If you need assistance in installing your Accessories, please contact our support team at: [support@theoutdoorplus.com](mailto:support@theoutdoorplus.com) Our team of experts can provide guidance and assistance to ensure a safe and successful installation.

We are dedicated to making your experience with The Outdoor Plus as seamless and enjoyable as possible. Don't hesitate to reach out to us with any questions or concerns you may have. Our team is always ready to assist you in any way we can.

## **REGISTER YOUR FIRE FEATURE ACCESSORIES:**

Thank you for choosing The Outdoor Plus for your fire feature accessory needs. We hope that your product has exceeded your expectations and provided you with countless hours of enjoyment.

We would like to remind you of the importance of registering your product online. By doing so, you will receive the most efficient and helpful service should you ever need to use your product warranty. Our registration process is quick and easy, and it will help us to better serve you in the future.

Thank you again for choosing The Outdoor Plus, and we hope to continue serving you for many years to come.

**SCAN TO REGISTER YOUR  
PRODUCT ONLINE:**



The Outdoor Plus Company (TOP) warrants its products against manufacturing defects that prevent safe and proper functioning as follows:

**Electronics, Gas Valves, & Pilot Assembly:**

Commercial - 6 Months ; Residential - 1 Year

**Stainless Steel & Aluminum Pans:**

Commercial - 1 year; Residential - 5 years

**Burner Ring & Burner Bars:**

Lifetime Warranty

**Electrodes & Spark Igniter:**

Not Warrantied (due to lifespan)

- This commences from the date of original sale / shipment from The Outdoor Plus
- The warranty on parts and in-house labor will apply only to claims presented to us by T.O.P's original customer and is in lieu of all other warranties expressed or implied.
- The defective product must be sent back to TOP with a Return Merchandise Authorization (RMA) issued by TOP for that specific product which states the nature of the defect or warranty claim. The original purchase information will be required.
- Product to be returned should be packed carefully. The Outdoor Plus is not responsible for shipping damage on returned items.
- RMA's are only valid for 30 days which states the nature of the defect or warranty claim after the expiration date.
- The RMA number must be indicated on the outside of the return package and a copy of the RMA should be placed in the package with product.
- TOP is not responsible for damaged caused by overheating, modification, abuse, improper storage, installation, or maintenance.
- TOP is not responsible for surface level rust on metal products.
- TOP is not responsible for the actions including negligence of the installer.
- Any labor involving installation or maintenance with the unit is not covered.
- This warranty does not cover claims for incidental or consequential damage and indirect collateral expenses arising from product defects or warranty repairs. Products manufactured by TOP include cLCus, UL, or CSA Certified models, of which cannot be altered or modified in any way.

- TOP is not responsible for local codes and will not accept a return on any product that is not approved for installation. Please check with your local authorities or governing agencies for proper approvals before purchasing.

**PRODUCT RETURN POLICY**

- No returns on made-to-order goods.
- No returns on custom features, NO EXCETIONS.
- If a product is delivered incorrectly, it is the recipients responsibility to notify TOP within 48 hours. TOP is not responsible for incorrect or damaged packages and shipments 48 hours after they have been received. Please call (909) 460-5579 or email: support@theoutdoorplus.com for help with warranty, replacements, returns, or if you have any support related questions.

**PRODUCT TESTING PROGRAM**

If you believe a unit or component you received is defective, The Outdoor Plus will gladly test any component at T.O.P's facility. TOP will cover shipping back to you.

**DEFECTIVE**

If an item is found to be defective it will be repaired or replaced at T.O.P's discretion. TOP will absorb all costs of outgoing freight and replacement costs if product is in warranty.

**NON-DEFECTIVE**

If the product is found to be non-defective it will be returned to the customer - no credit will be given.

**TOP ERROR**

If a return is needed due to a mistake on T.O.P's part, we will issue a RMA and Return Services Label. When products are received at TOP, credit will be issued for the products and the outgoing freight on the original invoice.

**CUSTOMER ERROR**

If an RMA is asked for and covers current new proucts in the original package, we will authorize the return. The customer is responsible for the return shipping. When products are received we will issue credit for the original customer cost less a 25% restocking charge. Custom orders do not apply.

**FREIGHT POLICY**

All orders will be shipped FOB Ontario, California, with a standard shipping carrier selected by TOP unless customer specifically requests their own carrier and account. A freight quote may be requested in advance. TOP works diligently with standard carriers to achieve the best discounts available.



# THE OUTDOOR PLUS

USA MANUFACTURER OF FIRE & WATER PRODUCTS

## THE OUTDOOR PLUS

701 S DUPONT AVE  
ONTARIO, CA 91761

### Contact Information:

Phone: (909) 460 5579  
Sales: [sales@theoutdoorplus.com](mailto:sales@theoutdoorplus.com)  
Support: [support@theoutdoorplus.com](mailto:support@theoutdoorplus.com)

